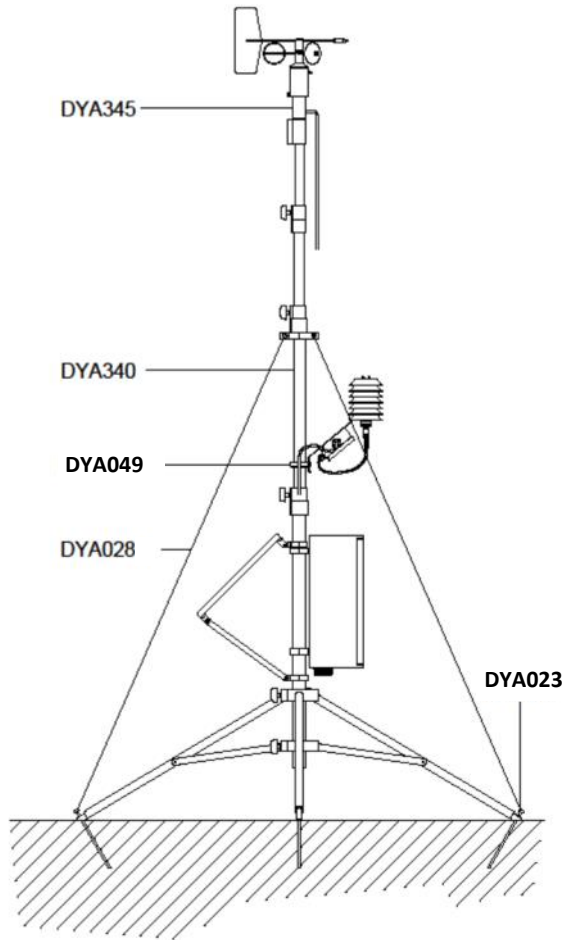


## Portable telescopic pole



- ▶ Light telescopic tower for portable uses
- ▶ Portable Automatic Weather Station
- ▶ Aluminum
- ▶ 4.5 m high when erected
- ▶ Only 8 Kg weight

Aluminium telescopic tower. This solution is ideal for short and medium term monitoring campaign using portable equipment. For a better mounting it is better to use tie-rods and pickets.

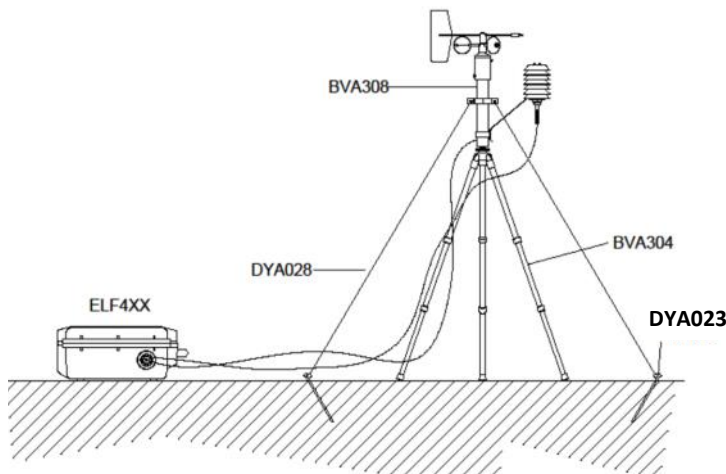
### Technical Specifications

PN	DYA340	
	Material	Aluminium
	Height when closed	144 cm
	Height when open	455 cm
	Weight	8 Kg
	Max load	35 Kg
	Legs diameter	174 cm
	Pickets for legs fixing	Not included (DYA023)

### Accessories

	<b>DYA023</b>	Set of N.3 pickets for DYA340, L= 0.6 m
	<b>DYA028</b>	Set of N.3 tie-rods and collar for meteo poles. Weight: 0.7 kg
	<b>DYA345</b>	Mounting for Ø 50 mm sensor on top of DYA340 pole

## Portable tripod



- ▶ Easy solution for short meteorological surveys
- ▶ Very quick installation
- ▶ Very light and compact packaging during transportation
- ▶ 2.2 m high when erected
- ▶ Only 1.6 Kg weight

This solution is ideal for short term monitoring campaign using portable equipment. This system is made by a tripod (BVA304) and one H. 80 cm pole (BVA308). For a secure mounting, it is better to use tie-rods (DYA028) and pickets (DYA043).

### Technical Specifications

PN	<b>BVA304</b>	
	Material	Aluminium
	Height when closed	53 cm
	Height when open	145 cm + 80 cm (BVA308)
	Weight	1.6 Kg BVA304 only
	Max load	8 Kg
	Tie-rods and pickets	Not included: DYA028 + DYA023 pickets

### Accessories

	<b>BVA308</b>	Pole H 80 cm, Ø 50mm for meteo sensors on BVA304 tripod
	<b>DYA023</b>	Set of N.3 pickets for tie-rods fixing, L= 0.6 m
	<b>DYA028</b>	Set of N.3 tie-rods and collar for meteo poles. Weight: 0.7 kg