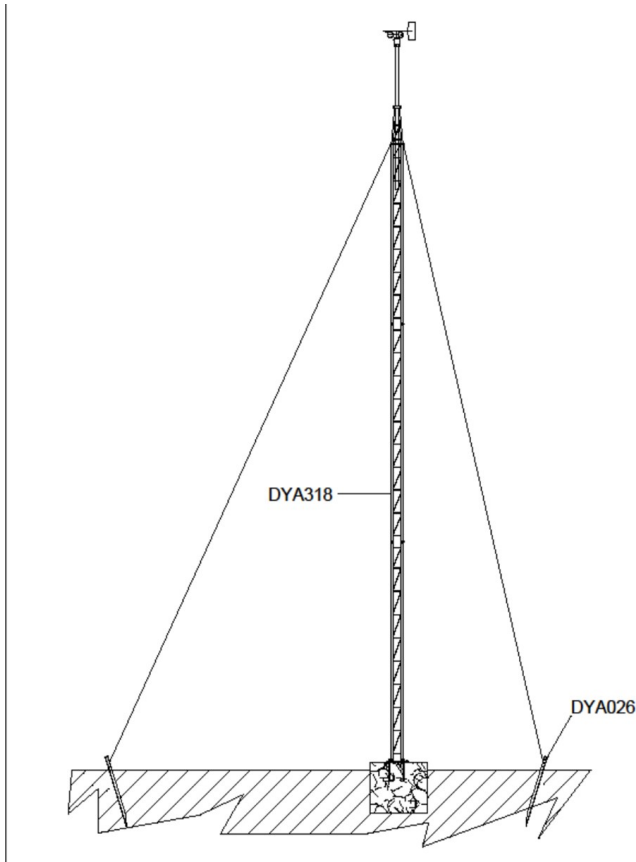


Tower H10 m



- ▶ Used to install wind sensors at a height of 10 m
- ▶ Lite structure in zinc plated iron
- ▶ Easy to install and pull it up&down
- ▶ Concrete plinth installation
- ▶ N.3 Tie-rods included

This tower is used where meteorological sensors should be mounted ten meter from the ground. The tower is equipped with accessory to be fixed directly on the ground or on concrete plinth. This equipment is very light and handy. The tower comes divided in three sections of 3 m each, on top there is a Ø 50 mm pole. Tower pull down is made using a hinge placed on its base.

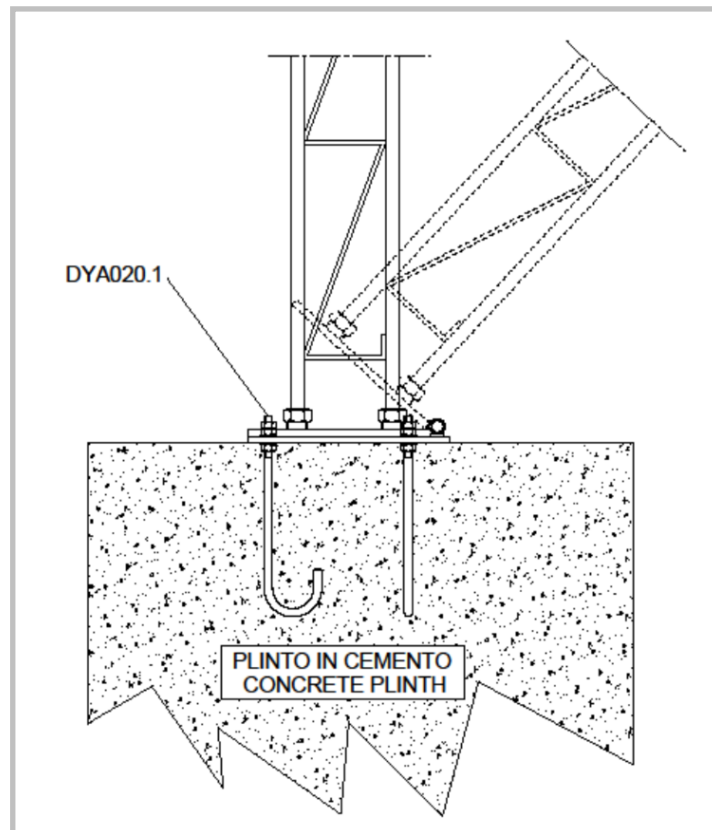
Technical Specifications

PN	DYA318	
Use	Installation of sensors at a height of 10 m	
Height	10 m	
Section	Triangular 18x18x18 cm	
Material	Zinc plated iron	
Tie-rods	N.3 tie-rods included (required DYA026 pickets)	
Fixing surface	On concrete plinth using anchoring bolts (DYA020.1)	
Concrete plinth dimension for concrete installation	L 800 x P 800 x H 700 mm	
Installation area required	15 x 10 m	
Sections numb.	N.3 sections of L=3 m each + pole H 2 m	
Total weight without base and pickets	37 Kg	
DYA320 base weight/dimension	9 kg, 345 x 295 x 20 mm	
Weight/dimension for each section	11 Kg, 300 x 18 x 18 cm	
Shipment weight/dimension	47 Kg	

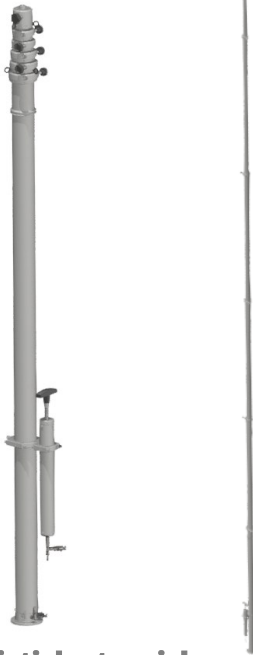
Accessories

Accessories for DYA318 concrete plinth installation	
DYA020.1	Set of N.3 anchoring bolt for DYA318 base. Weight: 1.3 kg
DYA026	Set of N.3 pickets for tie rods. Weight: 11 kg
Tie-rods set for masts Ø 50 mm	
DYA029.1	Set of 3 tie-rods and collar for fixing H 10 m tower. Stainless steel
DYA026	Sets of N.3 pickets for tie-rod fixing on the ground. Weight: 11 kg
Upper sleeve to reinforce pole head	
DYA131	Sleeve to reinforce pole head

**Accessories for DYA318 tower
concrete plinth installation**



Pneumatic telescopic tower H10 m



- ▶ Used to install wind sensors at a height of 10 m
- ▶ Light structure in anodised aluminium
- ▶ Pneumatic telescopic column with 3 extensions and manual locking
- ▶ Raising via hand pump

This tower is used where weather sensors are to be mounted 10 metres above the ground. The tower is equipped with accessories for ground mounting and bracing (see Accessories). The structure is very light and easy to handle. The telescopic tower has 6 extensions, its height when closed is 2.2 m and it has a diameter of 80 mm.

Caratteristiche tecniche

PN	MAPOA4302	
Use	Installation of sensors at a height of 10 m	
Height when open	10.12 m	
Height when closed	2.2 m	
Section	Circular diam. 80 mm	
Material	Anodised aluminium	
Fixing	On ground via flange base included	
Raising	With hand pump	
Installation area required	Circular base diam. 115 mm	
Number of extensions	6	
Max load	11 kg	
Max wind resistance	135 km/h with bracing	
Weight	16.5 kg	

Accessories

MAGFA3003	Upper wall mounting bracket for MAPOA4302
MAGFA3004	Lower wall mounting bracket for MAPOA4302
MAPOA9302	Kit of 3+3 polyester and Dyneema ropes for bracing, L=3 m and L=15 m
MAPOA9303	Kit of 3 stakes for fixing bracing polyester ropes to the ground
MAPOA9306	Kit of 3 stakes for fixing bracing Dyneema ropes to the ground
MAPOA9305	Sand scraper seals for MAPOA4302 pole, for arsh conditions