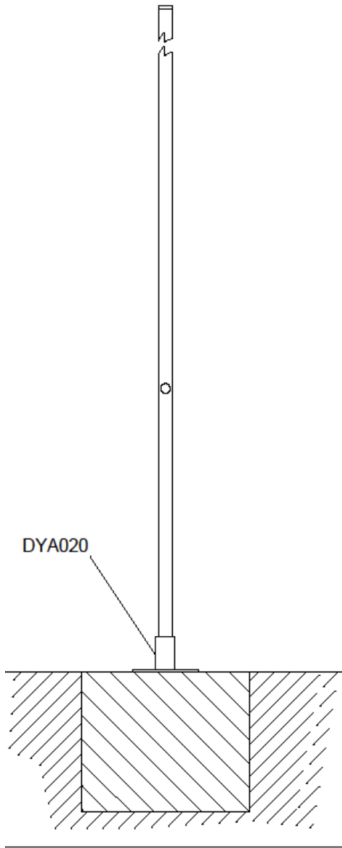


## H 2...3 meter masts for sensors and data logger installation



- ▶ AISI304 stainless steel structure
- ▶ Complete range of accessories for fixation on concrete, soil and lateral side of walls
- ▶ H 2 and H 3 m models

These masts are suitable for ground, concrete plinth or wall installation. It can be useful for the installation of meteorological equipment (sensors, ELF box for data logger) and solar panels. All masts are equipped with grounding electric protection. When the mast is fixed on the ground, by a DYA021 tripod, it is always better to use tie-rods. When the DYA020 tripod is used on a concrete plinth, it is possible to use tie rods, especially when the mast is three meters high.

### Technical Specifications

PN	DYA005	DYA006.1	DYA010.1
Height	1 m	2 m	3 m
Weight	1.9 Kg	3.8 Kg	5.5 Kg

### Common Technical Specifications

Use	Support for wind sensors, other sensors mounted on arms and data logger
Diameter	Ext. 50 mm int. 47 mm
Material	Stainless steel AISI304
Fixing surface	On ground, concrete plinth, wall (see ACCESSORIES)

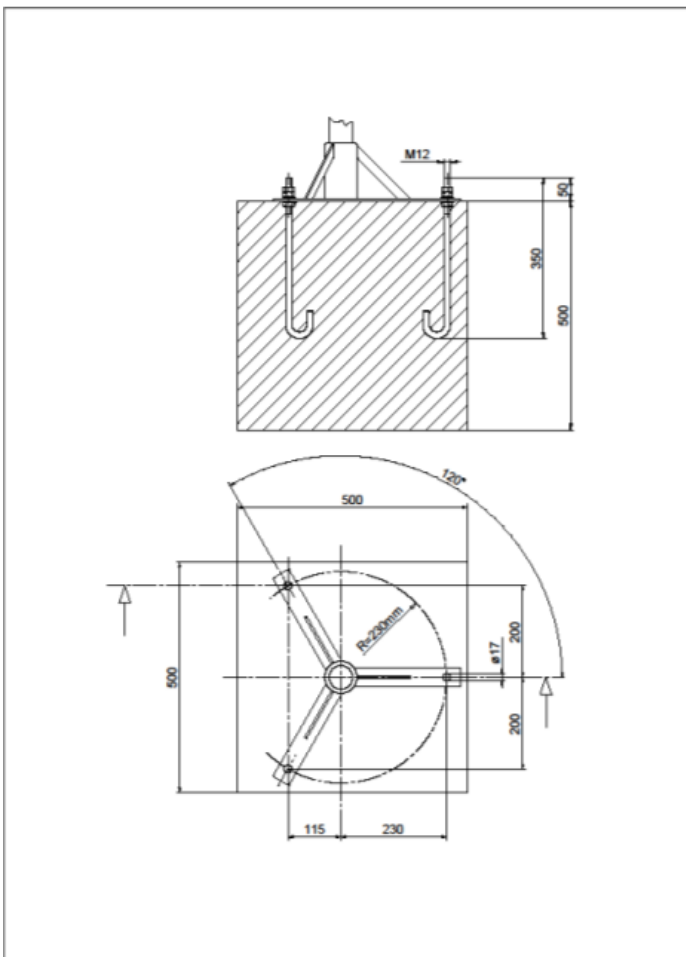
### Accessories

<b>Installation on plinth</b>	
DYA020	Tripod for masts Ø 50 mm concrete plinth installation. Weight: 3.25 kg
DYA020.1	Set of N.3 anchoring bolts, Ø 12mm for fixing tripods DYA020 on cement plinth. Weight: 1.3 kg
<b>Installation on ground</b>	
DYA021	Tripod for masts Ø 50 mm ground installation
DYA023	Set of N.3 pickets for DYA021

<b>Foldable system for masts Ø 50 mm</b>	
<b>DYA019</b>	Joint (it should be used with tie-rods set)
<b>Collar for jointing two masts</b>	
<b>DYA002</b>	Collar for jointing two masts Ø 50 mm (it should be used with tie-rods set)
<b>Arm for masts installation on wall</b>	
<b>DYA004</b>	Arm for mast Ø 50 mm wall installation (at least one pair required )
<b>Tie-rods set for masts Ø 50 mm</b>	
<b>DYA028</b>	Set of 3 tie-rods and collar for fixing H 2-3 m pole. Weight: 0.7 kg
<b>DYA029</b>	Set of 3 tie-rods and collar for fixing H 2-3 m pole. Stainless steel
<b>DYA026</b>	Sets of N.3 pickets for tie-rod fixing on the ground. Weight: 11 kg
<b>Upper sleeve to reinforce pole head</b>	
<b>DYA131</b>	Sleeve to reinforce pole head

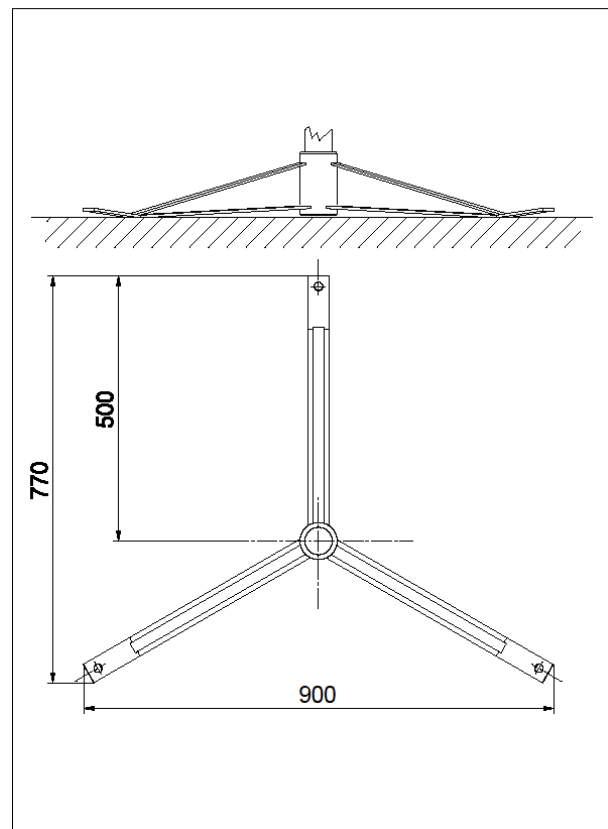
### DYA020

Tripod for Ø 50 mm pole on concrete plinth



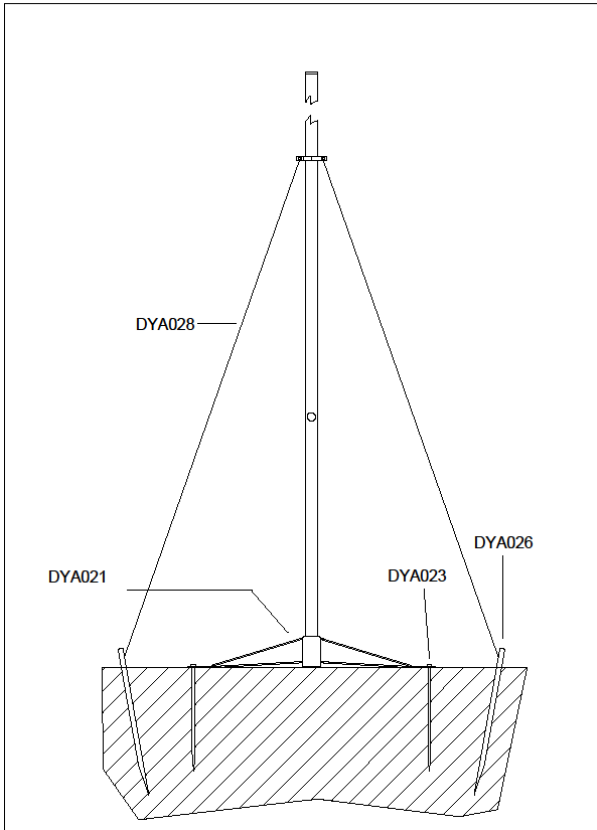
### DYA021

Tripod for Ø 50 mm pole on ground

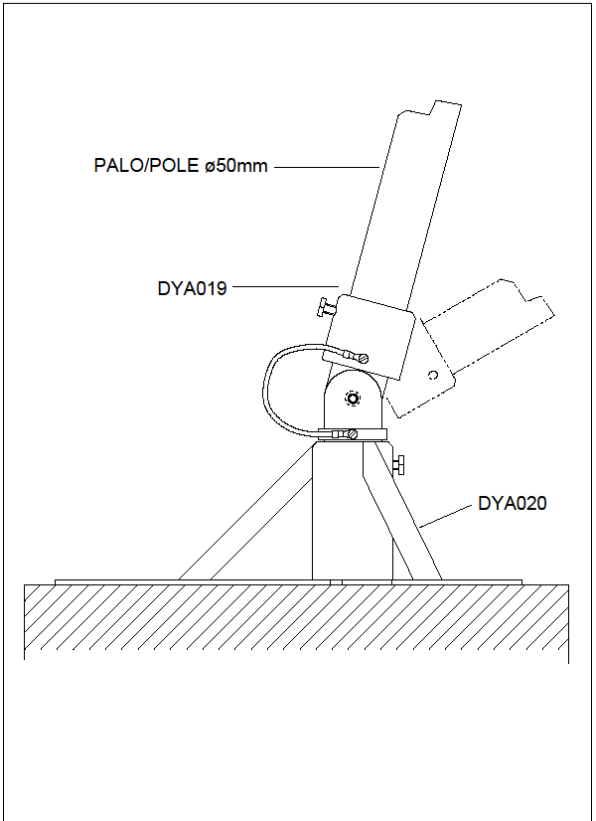


## H 2...3 meter masts for sensors and data logger installation

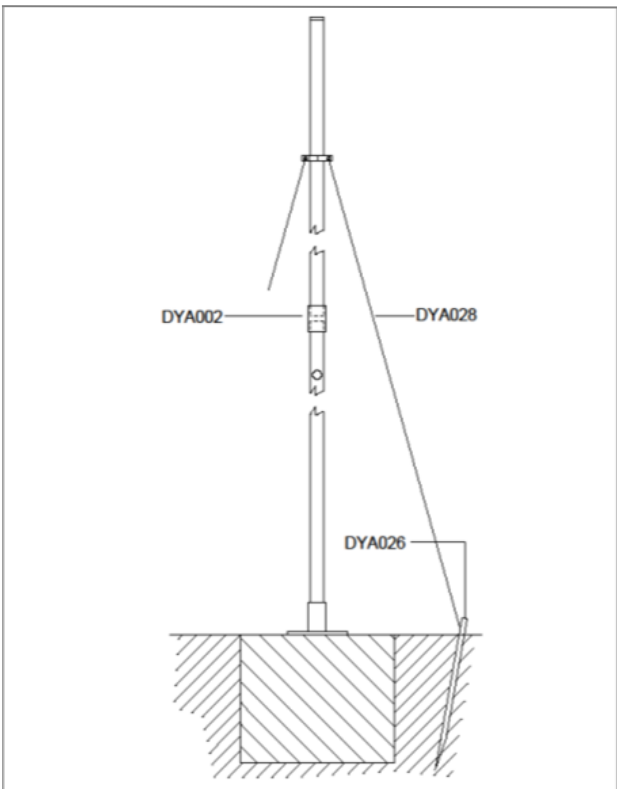
**DYA023**  
Ground pickets for  
DYA021 tripod



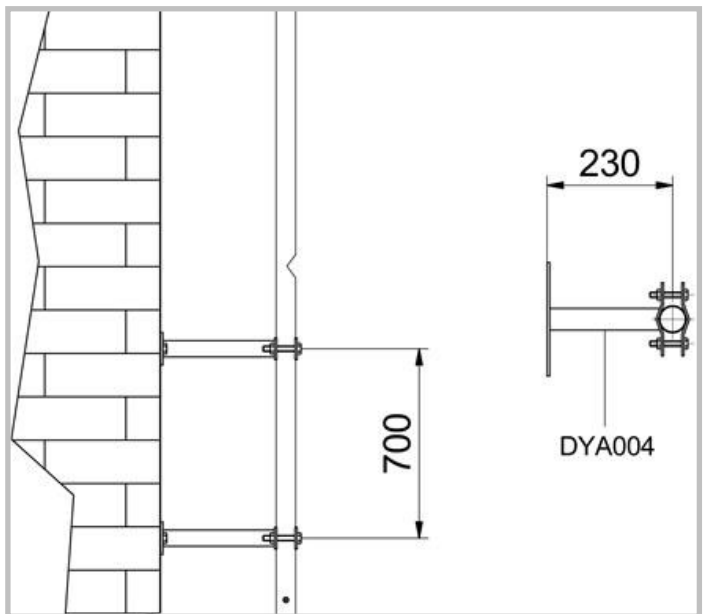
**DYA019**  
Foldable system for mast  
Ø 50 mm



**DYA002**  
Collar for jointing two  
masts



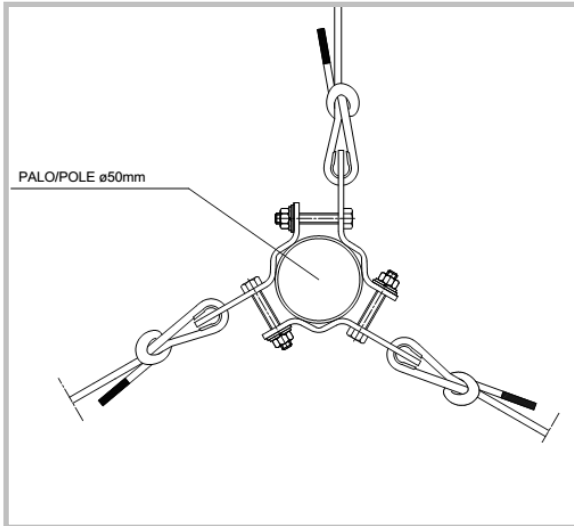
**DYA004**  
Arm for masts  
installation on wall



## H 2...3 meter masts for sensors and data logger installation

### DYA028

Tie-rods set for masts  
Ø 50 mm



### DYA026

Pickets set for tie-rods

