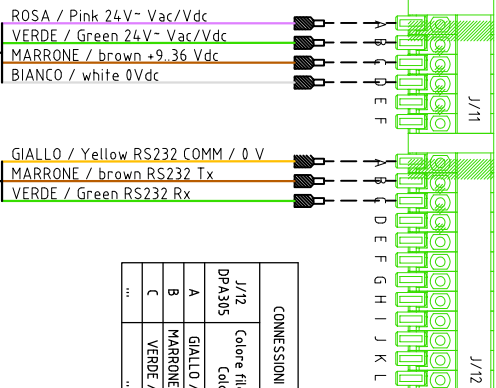


TABELLA DI RIFERIMENTO COLORAZIONE E SEGNALI CAVO MN1081 / Reference table coloring and cable signals MN1081		
MARRONE / Brown	ALIM. / Power supply +9.36 Vdc	
BIANCO / White	ALIM. / Power supply 0 Vdc	
VERDE / Green	-24 Vac/Vdc RISCALDAMENTO / Heated	
ROSA / Red	-24 Vac/Vdc RISCALDAMENTO / Heated	

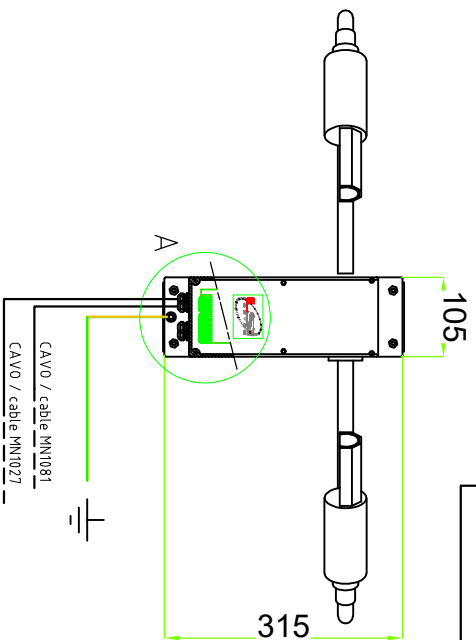
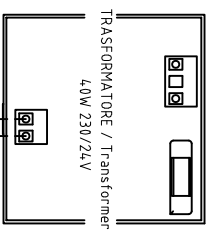
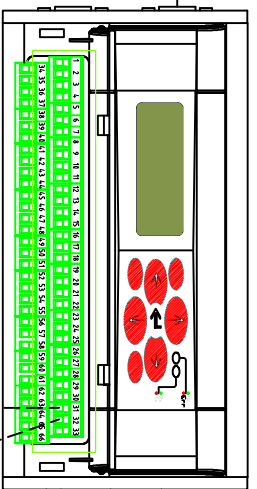
TABELLA DI RIFERIMENTO COLORAZIONE E SEGNALI CAVO MN1027 / Reference table coloring and cable signals MN1027		
GIALLO / Yellow	RS232 COMM / 0 V	
MARRONE / Brown	RS232 Tx	
VERDE / Green	RS232 Rx	



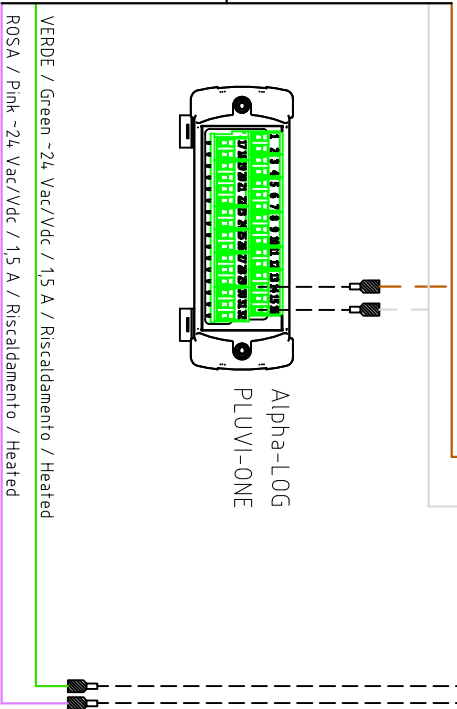
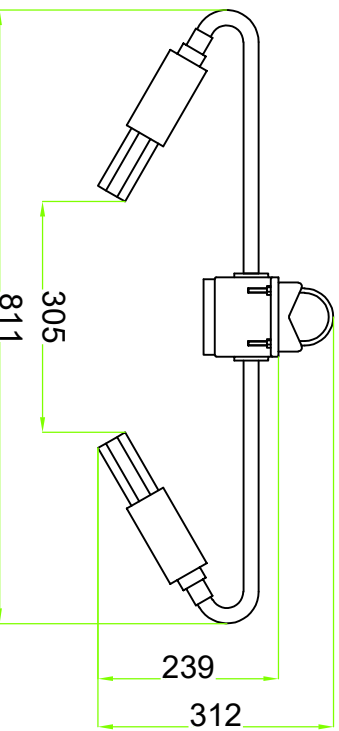
CONNESSIONI CON CAVO CONNETTORE / Connections direct with cable			
J/12	Colore filo / Cable Colour	Sign.	CONNESSIONI A PIN / Connections to DEA602 Terminals
A	GIALLO / Yellow	RS 232 COMM / 0 V	5
B	MARRONE / Brown	RS 232 Tx (Sig. from sensor)	2
C	VERDE / Green	RS 232 Rx (Sig. to sensor)	3
...

CAVO SEGNALE / Signal cable MN1027 L=10 m

DEA602
COM. 2



CAVO ALIM. / Power cable MN1081 L=10 m



VERDE / Green -24 Vac/Vdc / 15 A / Riscaldamento / Heated
ROSA / Pink -24 Vac/Vdc / 15 A / Riscaldamento / Heated

Indice di revisione	Data	Modifica effettuata	Indice di revisione	Data	Modifica effettuata
a	16/06/23	Agg. cartiglio e layout disegno	f	---	---
b	---	---	g	---	---
c	---	---	h	---	---

DATA	19/09/13	19/09/13	19/09/13	19/09/13
ORIGINALI	---	---	---	---
REDAITTO:	UT	R&S	RA	RT
CONTROLLATO:	---	---	---	---
VERIFICATO:	---	---	---	---
APPROVATO:	---	---	---	---

QUOTE LINEARI SENZA	PRECISIONE	UNITA' DI MISURA
±0.1	mm	mm
±0.15	mm	mm
±0.25	mm	mm
±0.35	mm	mm

DESCRIZIONE:		MATERIALE:	
Sensor/Visibilita'Present Weather/20..20mm/L..20 mA/V		---	
N.3 relay/9.36V		---	

DISEGNO:		REVISIONI:	
n° dis.: DISACC230018		Rev.: d	
Cod. prodotto: DPA305		---	

FATTORE DI SCALA	
1:10	

