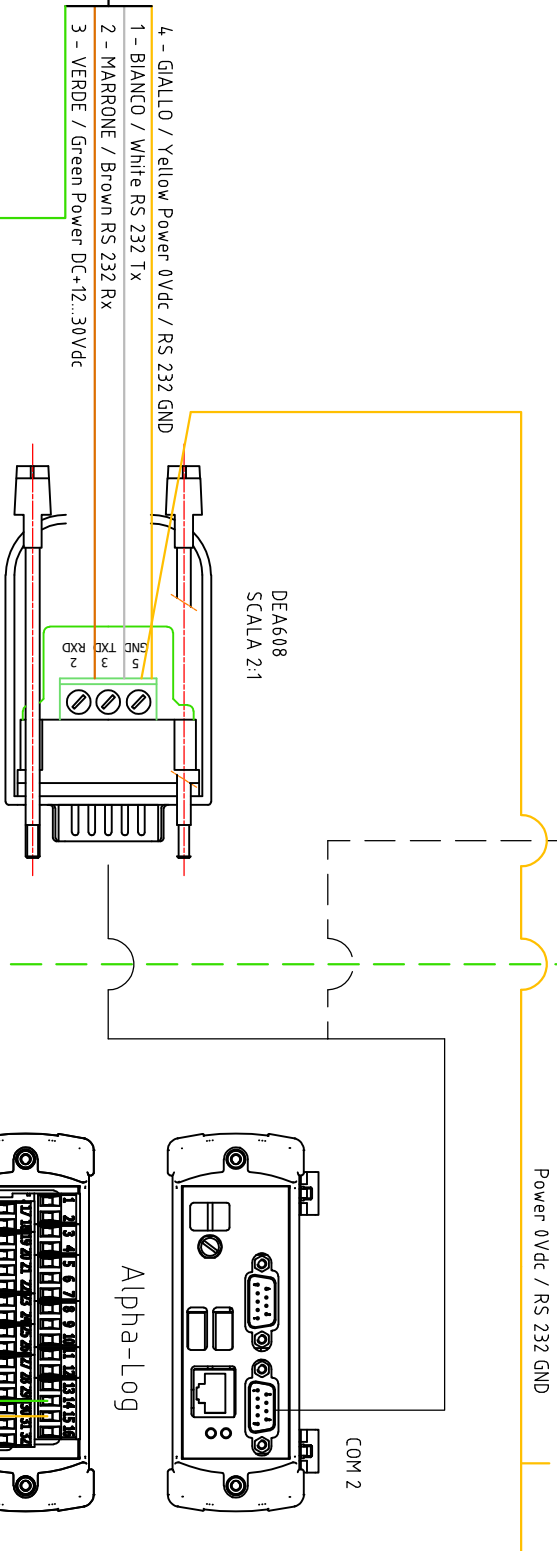
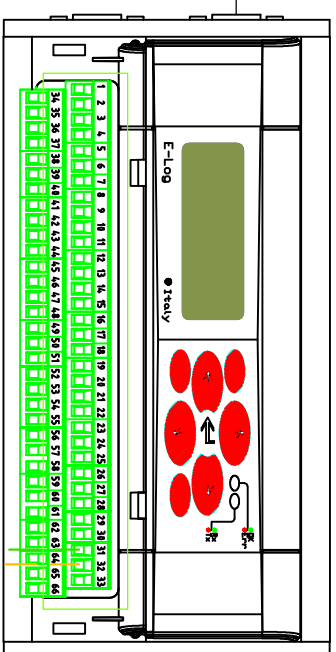
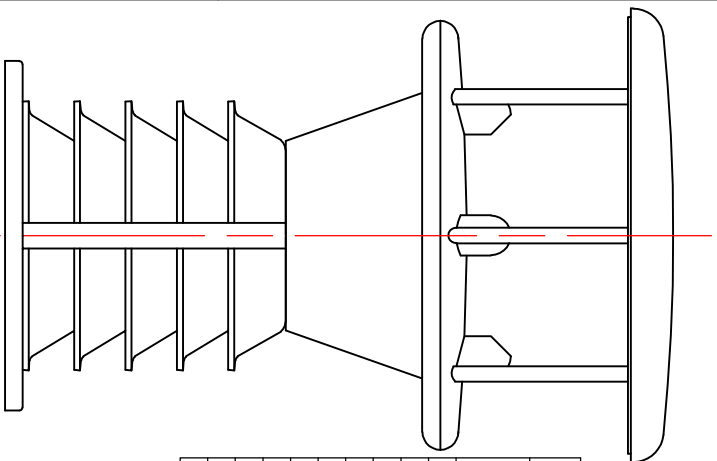


CONNESSIONI CON CAVO CONNETTORE / Connections direct with cable					
PIN	Colore filo / Cable Colour	Sign.	CONNESSIONI A PIN / Connections to DE4608 terminals	MORSETTIERA / Terminal block E-Log	MORSETTIERA / Terminal block Alpha-Log
1	BIANCO / White	RS 232 Tx	3	COM 2	COM 2
2	MARRONE / Brown	RS 232 Rx	2	---	---
3	VERDE / Green	Power DC +12...30Vdc	---	31	14
4	GIALLO / Yellow	Power 0Vdc / RS 232 GND	5	32	15
5	GRIGIO / Grey	---	---	---	---
6	ROSA / Pink	---	---	---	---
7	BLU / Blue	---	---	---	---
8	ROSSO / Red	---	---	---	---
9	VIOLA / Purple	---	---	---	---
10	NERO / Black	---	---	---	---



- 4 - GIALLO / Yellow Power 0Vdc / RS 232 GND
- 1 - BIANCO / White RS 232 Tx
- 2 - MARRONE / Brown RS 232 Rx
- 3 - VERDE / Green Power DC+12...30Vdc



Tutte le informazioni ed il manuale utente possono essere scaricate dal sito [WWW.LSI-LASTEM.COM](http://WWW.LSI-LASTEM.COM) / All information and the user manual can be downloaded from website [WWW.LSI-LASTEM.COM](http://WWW.LSI-LASTEM.COM)

Indice di revisione	Data	Modifica effettuata	Indice di revisione	Data	Modifica effettuata
a	---	---	f	---	---
b	---	---	g	---	---
c	---	---	h	---	---

REDAATTO:	CONTROLLATO:	VERIFICATO:	APPROVATO:
UT	R&S	RA	RT

DATE ORIGINAL:	DATE UT	DATE RA	DATE RT
21/03/22	21/03/22	21/03/22	21/03/22

NOTE LINEARI SENZA MODIFICHE E/O SOSTITUIBILI LIMITI AVVERSI	Gruppi dimensionali	Tolleranze mm.
1	1..18	±0.1
2	>18..80	±0.15
3	>80..250	±0.25
4	>250	±0.35

Questo disegno contiene informazioni confidenziali, esclusivamente riservate ai suoi destinatari / Non stampare se non necessario / This communication contains confidential information reserved only for its addressees. Please don't print it if not necessary.

Descrizione: Schema di connessione terminali DE4608 dei sensori seriali e AO con uscita RS232 con cavo a 4 fili. Sensori con RS232 output to 4 wire loop.

Numero disegno: DISACC220009

Rev: -

Cod. prodotto: DNB200.2 DNB201.2 DNB202.2 DNB205.2

FATTORE DI SCALA 5

