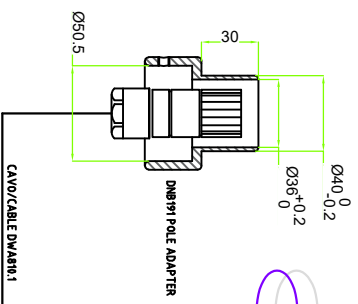
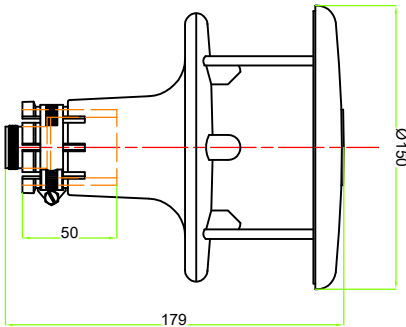


Indice di revisione	Data	Modifica effettuata	Indice di revisione	Data	Modifica effettuata
a	---	---	f	---	---
b	---	---	g	---	---
c	---	---	h	---	---
QUOTE LINEARI SENZA MODULAZIONE DI FREQUENZA (SOSY/INSTRUM LINEE ANALISI)					
DATA	REDAZIONE	CONTROLLATO	VERIFICATO	APPROVATO	Prodotto
A3	UT	R&S	RA	RT	---
OPZIONALE:	18/02/21	18/02/21	18/02/21	18/02/21	Prodotti
Gruppi di dati	1...18	1...18	1...18	1...18	---
Tick rate (ms)	>18...80	>18...80	>18...80	>18...80	---
	>80...250	>80...250	>80...250	>80...250	---
	>250	>250	>250	>250	---
	±0.25	±0.25	±0.25	±0.25	---
	±0.35	±0.35	±0.35	±0.35	---
Questo disegno contiene informazioni confidenziali, esclusivamente riservate ai suoi destinatari. Non stupisce se non necessario, / This communication contains confidential information intended only for its addressees. Please don't print it on "Sensory".					
DESCRIZIONE:			Materiale:		
Anemometro ultrasonico a due assi VAI/DR, 4x45 m/s, 2 uscite RS-485 analog in corrente 4x20 mA, VAI/DR Vercata ultrasonico anemometro 4x45 m/s, output RS-485 modbus			FATTORE DI SCALA		
n° dis.: DISACC210021			Cod. prodotto: DNB105.2		
Rev: -			---		

SENSORE DI VELOCITÀ E DIREZIONE VENTO AD ULI TRASLATION / WIND SPEED & DIRECTION
 ULTRA-SONIC ANEMOMETER
 Anemometro ultrasonico a due assi VAI/DR, 4x45 m/s, 2 uscite RS-485 analog in corrente 4x20 mA, VAI/DR Vercata ultrasonico anemometro 4x45 m/s, output analogico 2 x 4x20 mA, RS-485 modbus



Numero pin connettore	Colore	Simbolo	Descrizione
1	N.A.	N.A.	Non utilizzati / Not used
2	N.A.	N.A.	Non utilizzati / Not used
3	N.A.	N.A.	Non utilizzati / Not used
4	BIANCO/WHITE	HEAT -	Negative alimentation riscaldatore / Negative for heater power supply
5	VIOLOA/VIOLET	HEAT +	Positive alimentation riscaldatore / Positive heater power supply (24Vdc)
6	---	---	---
7	---	---	---
8	GIALLO/YELLOW	GND	Massa scricca (isolata da V-1) / Serial ground (isolated from V-1)
9	GRIGIO/GREY	TX -	Negative transmission output serial "DATA" - uscita RS485 principale / Negative transmission output serial "DATA" - main RS485 output
10	N.A.	N.A.	Non utilizzati / Not used
11	N.A.	N.A.	Non utilizzati / Not used
12	NERO/BLACK	V -	Negative alimentazione strumenti / Instrument power supply negative
13	N.A.	N.A.	Non utilizzati / Not used
14	MARRONE/BROWN	OUT 1	Positivo uscita analogica 1 / Positive analog output 1
15	BLU/BLUE	GND	Massa analogica (isolata da V-1) / Analog ground (isolated from V-1)
16	ROSA/PINK	OUT 2	Positivo uscita analogica 2 / Positive analog output 2
17	VERDE/GREEN	TX +	Negative transmission output serial "DATA" - main RS485 output
18	N.A.	N.A.	Non utilizzati / Not used
19	ROSSO/RED	V +	Positivo alimentazione strumento / Positive instrument power supply (24Vdc)
20	---	---	---
21	---	---	---
22	---	---	---
23	---	---	---
24	---	---	---
25	---	---	---
26	---	---	---
27	---	---	---
28	---	---	---
29	---	---	---
30	---	---	---
31	---	---	---
32	---	---	---
33	---	---	---
34	---	---	---
35	---	---	---
36	---	---	---
37	---	---	---
38	---	---	---
39	---	---	---
40	---	---	---
41	---	---	---
42	---	---	---
43	---	---	---

